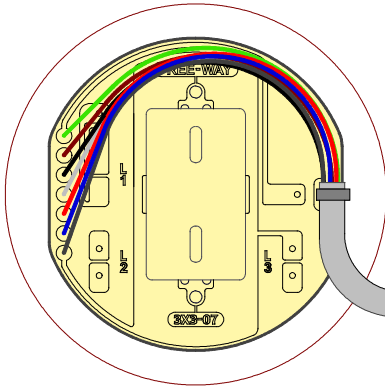


# FREE-WAY SWITCH

www.freewayswitch.com

MANUFACTURED IN ENGLAND BY NSF CONTROLS LTD



NECK PICKUP

MIDDLE PICKUP

BRIDGE PICKUP

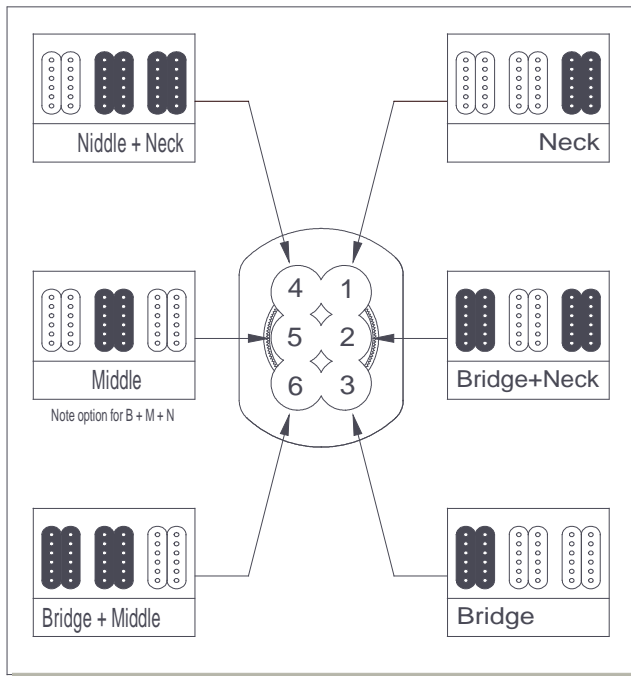
### Notes:-

Each pickup has it's own volume (NV MV BV) together with a master tone control (T). MV is wired for independent volume, allowing mixing of the middle pickup in positions 4 & 6.

Wire to wire connections (marked \*) should be soldered and then covered with insulation tape.

Leave L1 L2 L3 unsoldered

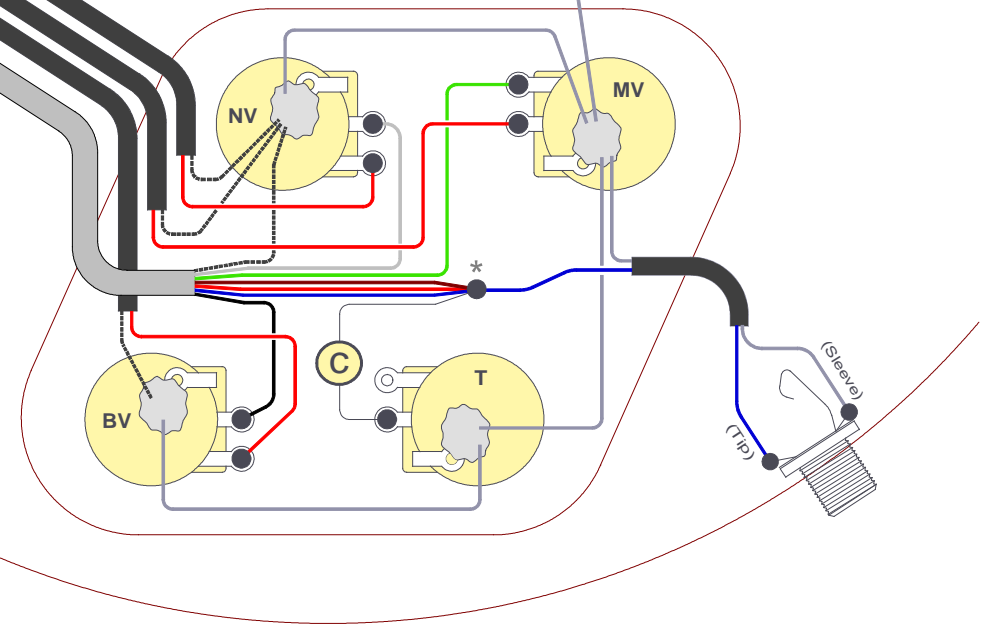
Optionally solder L1 pads together and solder L2 pads together for B + M + N in position 5



### HUMBUCKER COLOUR KEY

Hot ————  
Shield / Ground - - - - -

Grd To Bridge



Scheme No 183 : Last Updated March 2017