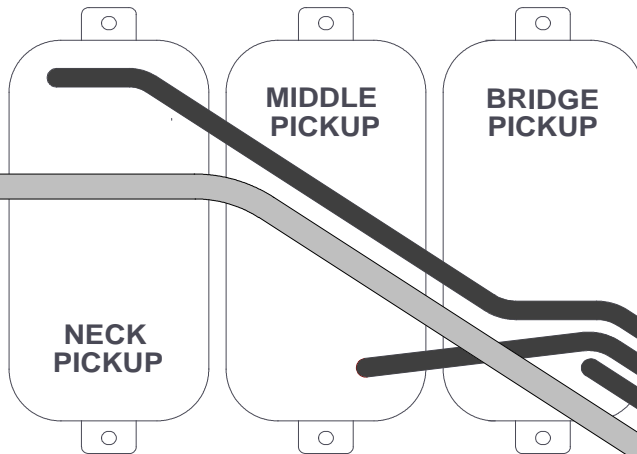
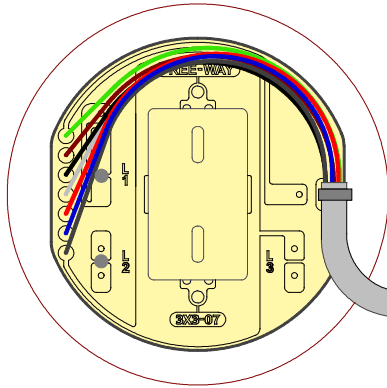


FREE-WAY SWITCH

www.freewayswitch.com

MANUFACTURED IN ENGLAND BY NSF CONTROLS LTD



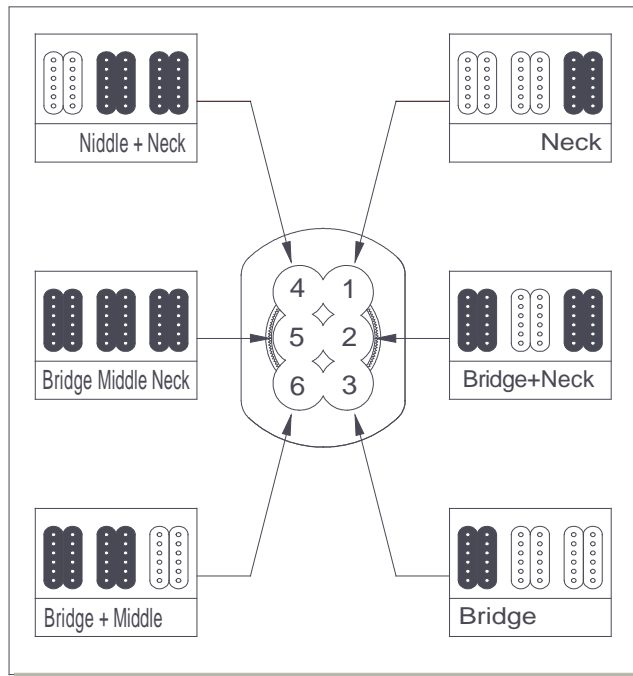
Notes:-

Positions 4, 5 & 6 combine the middle pickup which is added to neck or bridge vol/tone controls, according to switch position.

Wire to wire connections (marked *) should be soldered and then covered with insulation tape.

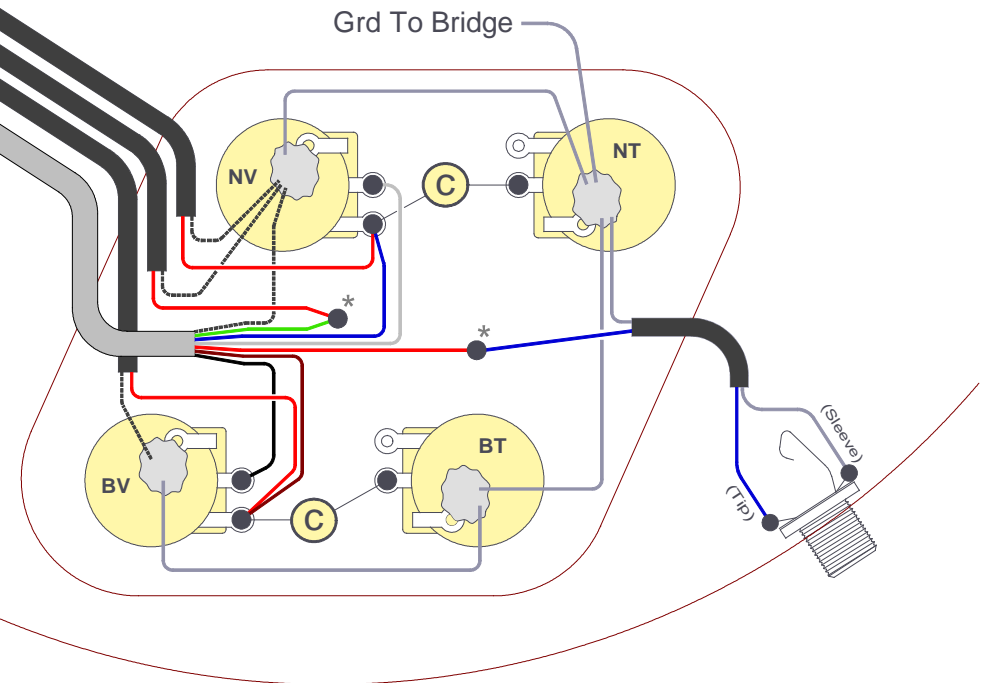
Before installing Switch:-

- Solder L1 Pads together
- Solder L2 Pads together
- Leave L3 unsoldered



HUMBUCKER COLOUR KEY

- Hot —
- Shield / Ground - - - - -



Scheme No 182 : Last Updated March 2017