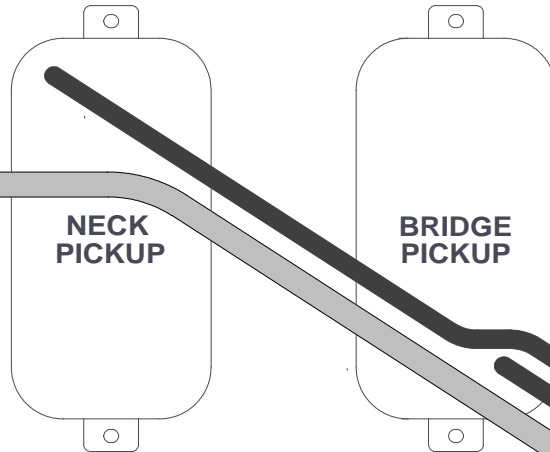
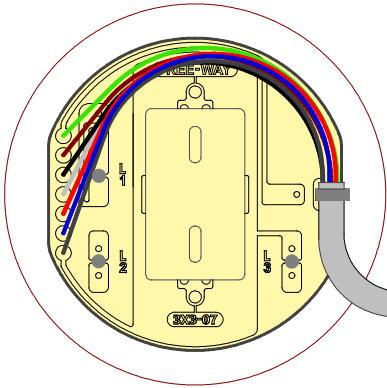


FREE-WAY SWITCH

www.freewayswitch.com

MANUFACTURED IN ENGLAND BY NSF CONTROLS LTD



Notes:-

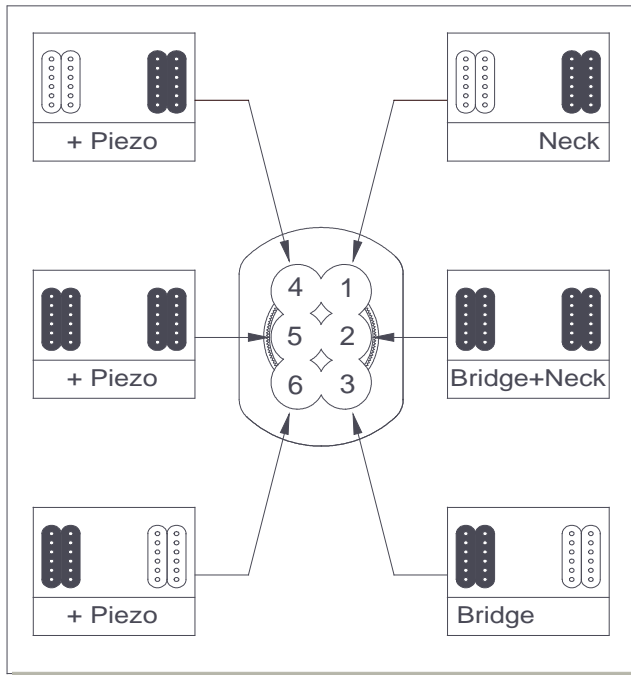
Positions 4, 5 & 6 voice the piezo and magnetic pickups. Piezo output is grounded in positions 1-3 via green wire from Free-Way.

Bare wires (marked *) should be covered with insulation tape.

Magnetic pickups shown with master tone (T) to allow piezo volume (PV). Install piezo in accordance with manufacturers instructions.

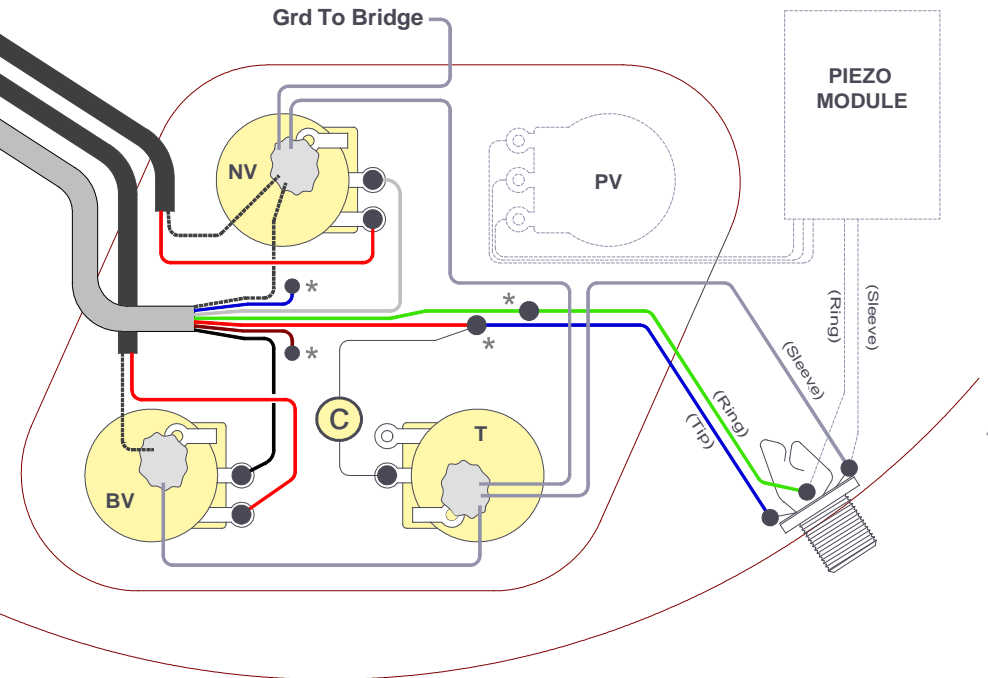
Before installing Switch:-

- Solder L1 Pads together
- Solder L2 Pads together
- Solder L3 Pads together



HUMBUCKER COLOUR KEY

Hot	— (Red line)
Shield / Ground	- - - - - (Dotted line)



Scheme No 184 : Last Updated March 2017