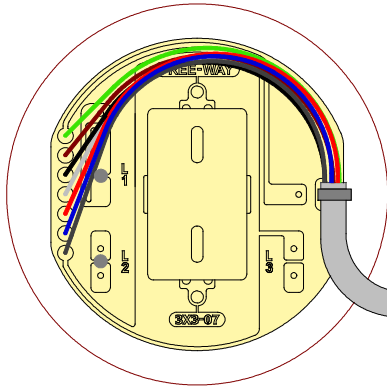


FREE-WAY SWITCH

www.freewayswitch.com

MANUFACTURED IN ENGLAND BY NSF CONTROLS LTD



Notes:-

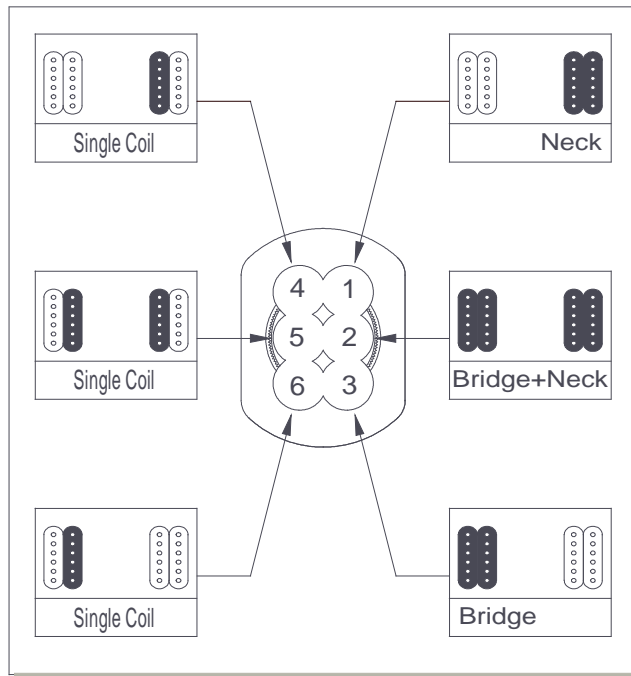
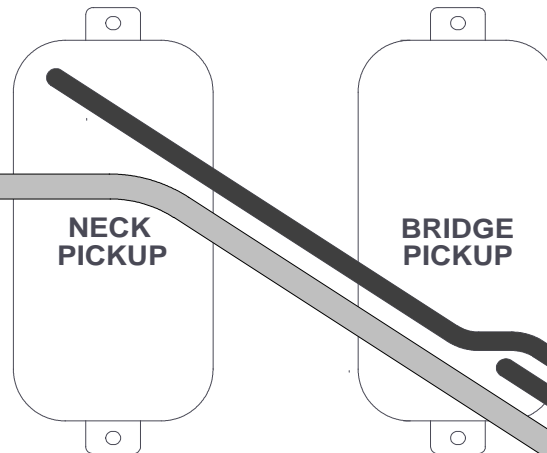
Positions 4, 5 & 6 voice the slug coils on normal humbuckers by grounding the coil link connections.

Wire to wire connections (marked *) should be soldered and then covered with insulation tape.

The pickup colour coding shown in this diagram does not represent any particular pickup manufacturer - please follow key.

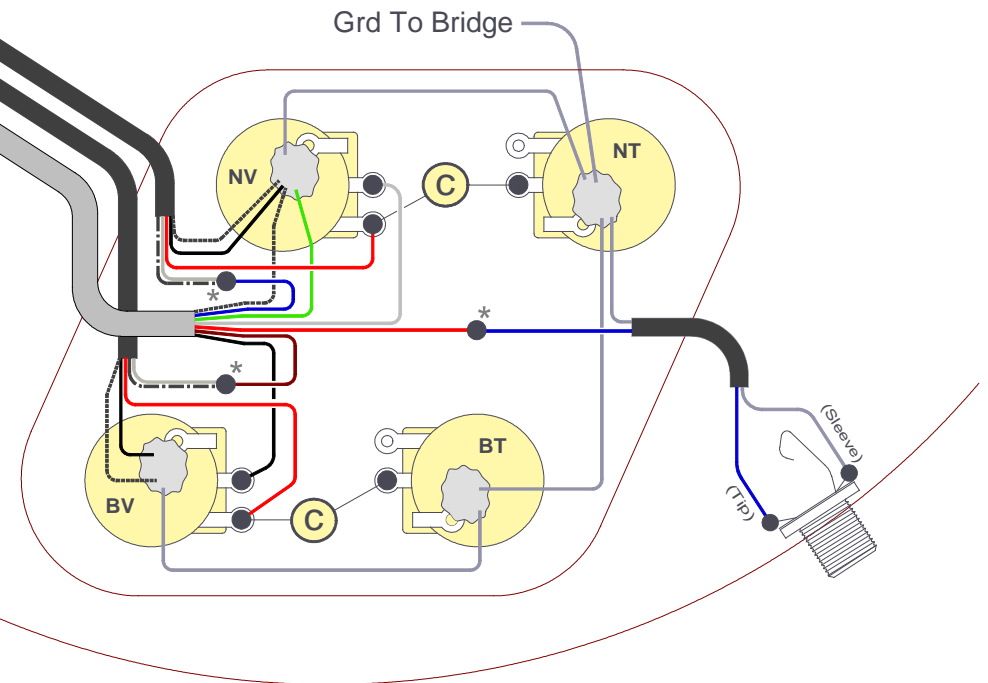
Before installing Switch:-

- Solder L1 Pads together
- Solder L2 Pads together
- Leave L3 unsoldered



HUMBUCKER COLOUR KEY

- NORTH Start wire ——— (Red)
- NORTH Finish wire ——— (Grey)
- SOUTH Finish wire - - - - - (Black)
- SOUTH Start wire ——— (Blue)
- Shield / Screen - - - - - (Dotted)



Scheme No 181 : Last Updated March 2017