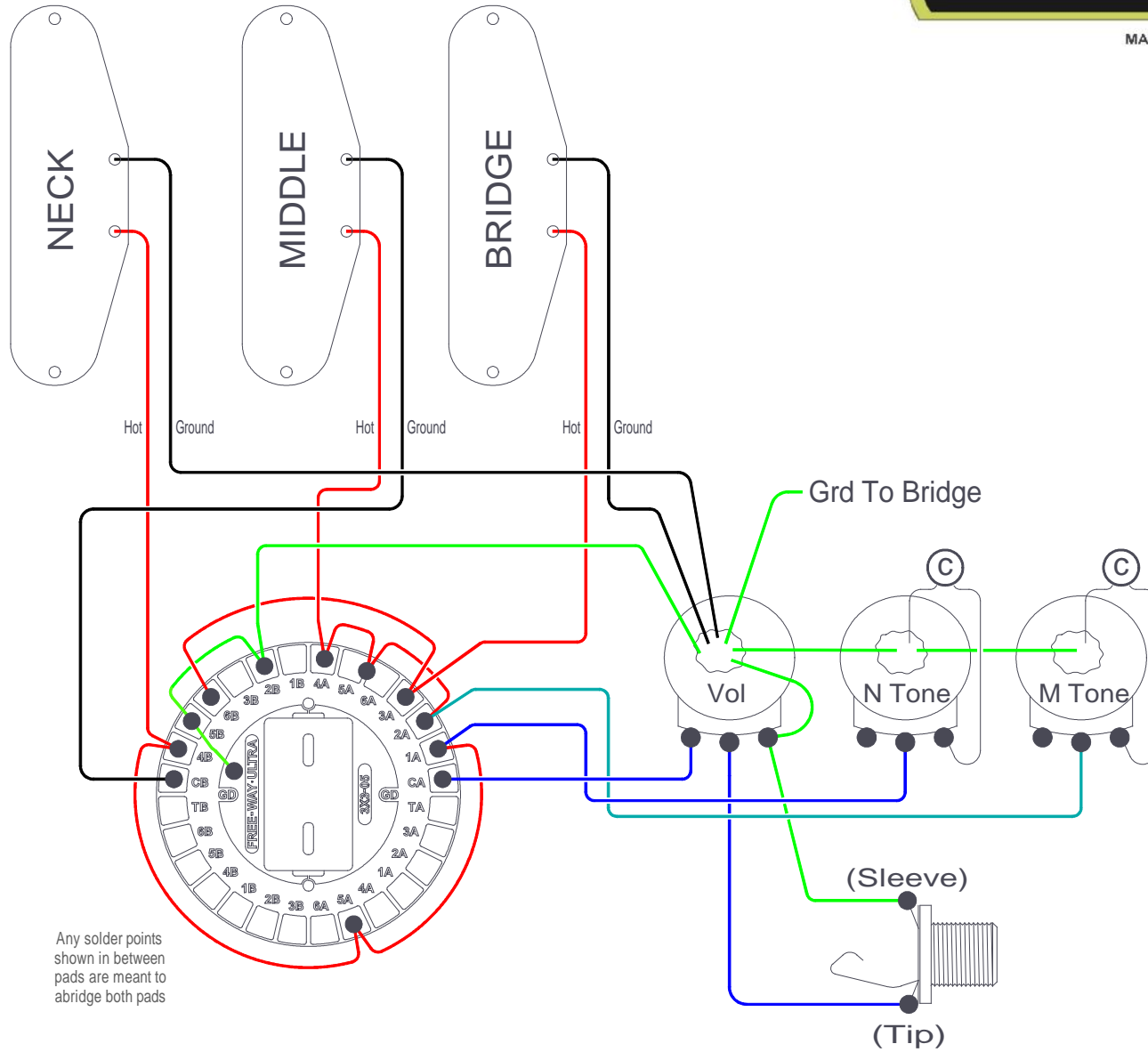


REVERSE VIEW OF PICKUPS, SWITCH AND POTENTIOMETERS.



MANUFACTURED IN ENGLAND BY NSF CONTROLS LTD

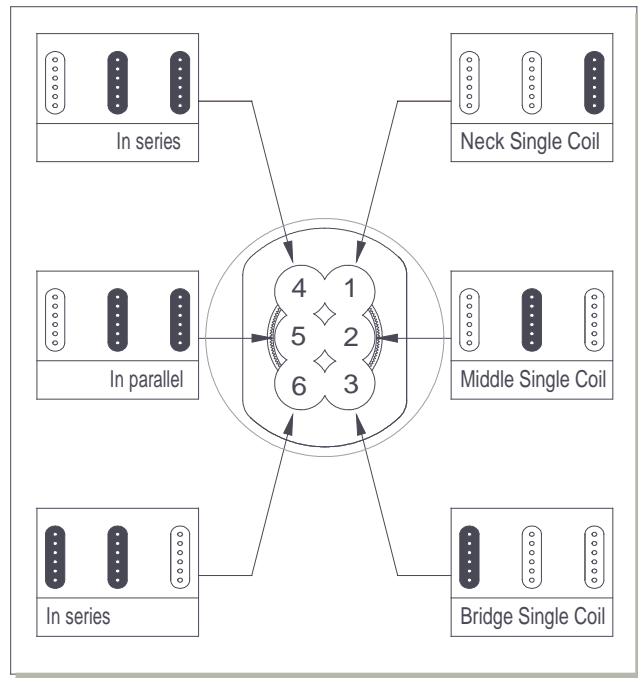


Notes:-

Use a RW/RP middle pickup for hum-cancelling in positions 4, 5, & 6.

The pickup colour coding shown in this diagram does not represent any particular pickup manufacturer - please follow designations.

FRONT VIEW OF PICKUPS AND SWITCH



Scheme No 199 : Last Updated Dec 2016