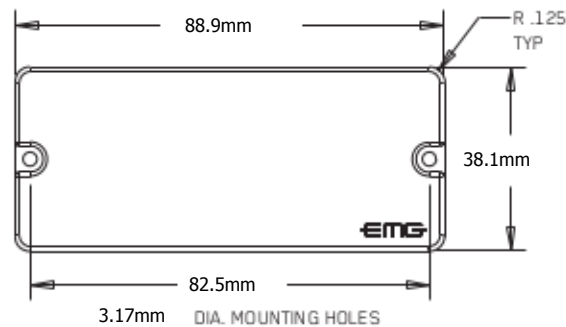
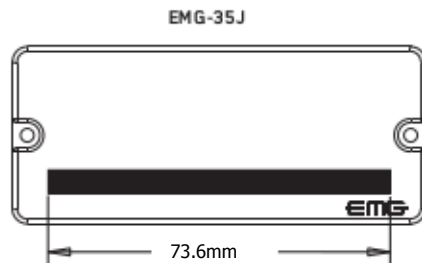
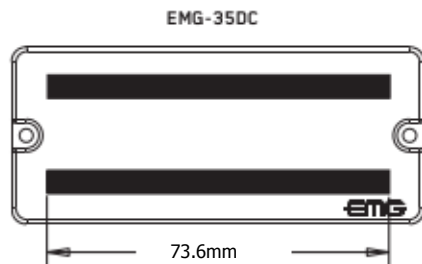


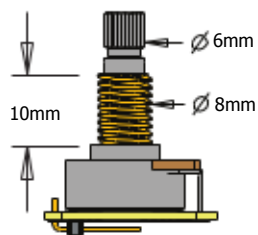
PICKUP AND MAGNET DIMENSIONS:



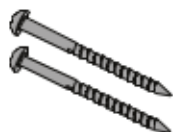
MAXIMUM RECOMMENDED STRING WIDTH 63.5mm ALL 35 MODELS

INCLUDED WITH EACH PICKUP SET:

2 VOLUME CONTROLS (25K)
2 TONE CONTROLS (25K)



ADJUSTMENT SCREWS (2 pr)



2 PICKUP CABLE (38cm)



4 CONNECT CABLES (14cm)



OUTPUT CABLE (15cm)



BATTERY CABLE (18cm)



BATTERY BUSS



STEREO OUTPUT JACK



2 PICKUP IN / OUT BATTERY BUSS

