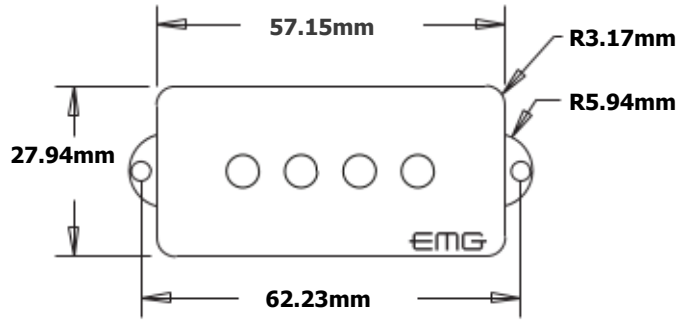
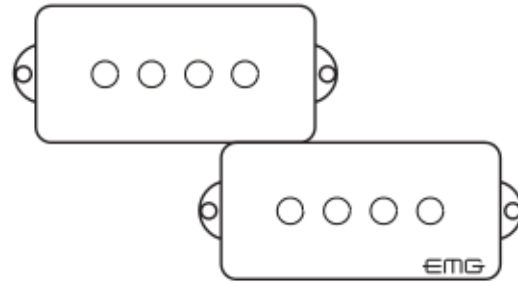


INSTALLATION INFORMATION EMG MODELS: P-HZ (GZR MODEL)

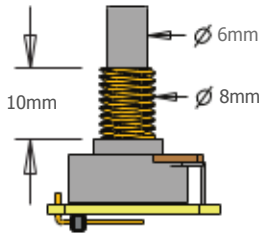


#4 PHILLIPS RH WOOD SCREWS
FOR MOUNTING



LOGO SIDE IS FOR
D AND G STRINGS

1 VOLUME CONTROL (250K)
1 TONE CONTROL (250K)



ADJUSTMENT SCREWS(4)



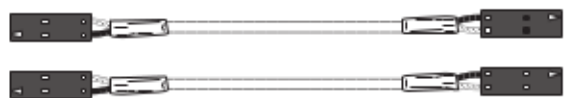
BRIDGE GROUND
CONNECTOR



P PICKUP CABLE 12" (30cm)



CONNECT CABLES 5.5" (14cm)



OUTPUT CABLE 6" (15cm)



BRIDGE GROUND WIRE 6" (15cm)

